

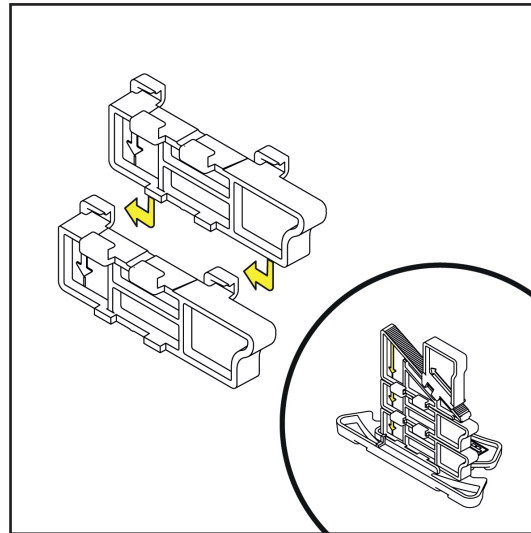
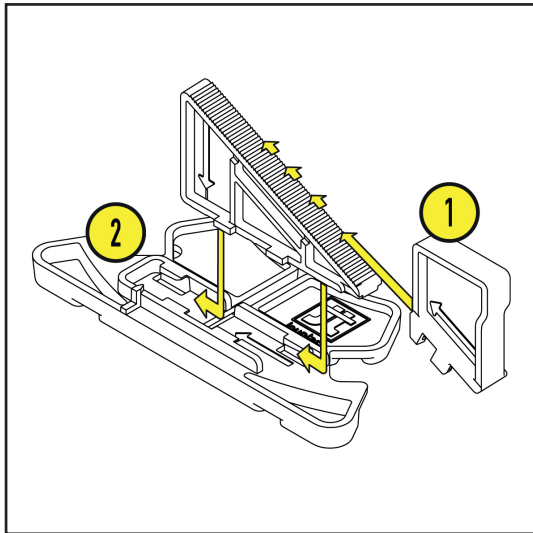
LAYING A PAVED TERRACE USING SIDE FINISHING PLATE SUPPORT KIT

Prevents tipping of terrace-edge or wall-edge paving by eliminating any overhang

Jouplast®

Assembly without extension

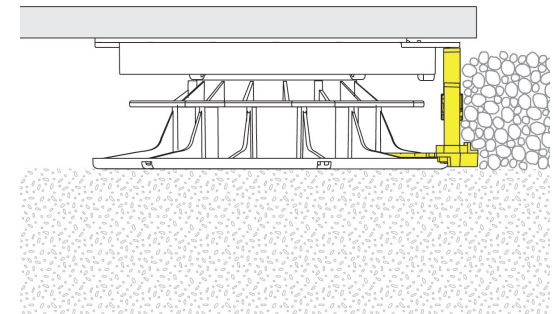
Assembly with extension



Assemble the kit before fitting it to the riser pedestal base, then adjust the height.

	= ... mm	45 - 65 mm	65 - 85 mm	85 - 105 mm

For use along edges without plinth or finishing profiles



For use against a wall

