

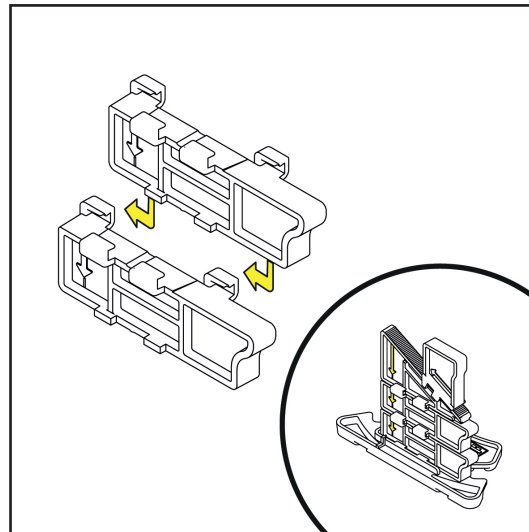
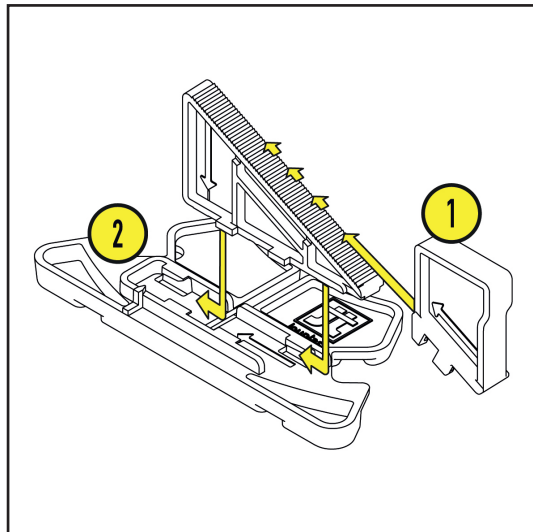
# LAYING A PAVED TERRACE USING SIDE FINISHING PLATE SUPPORT KIT

Prevents tipping of terrace-edge or wall-edge paving by eliminating any overhang

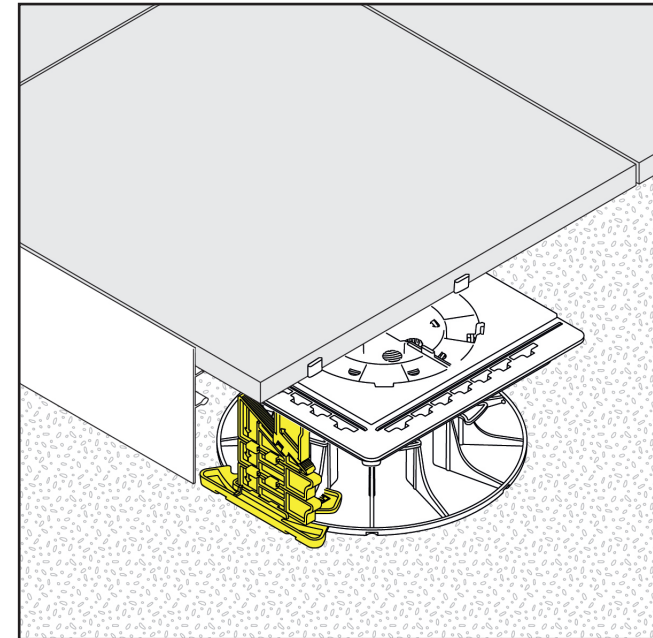
Jouplast®

Assembly without extension

Assembly with extension



For use at the edges with finishing profiles



Assemble the kit before fitting it to the riser pedestal base, then adjust the height.

|  |            |            |             |
|--|------------|------------|-------------|
|  | 45 - 65 mm | 65 - 85 mm | 85 - 105 mm |
|  |            |            |             |