

Jouplast®

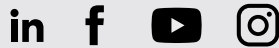
DIRECTIONS FOR USE

**DEFINING LANDSCAPE
SPACES WITH DELIMA®
BORDERS**



10
WARRANTY
YEARS

www.jouplast.com



Document protected by copyright. Any reproduction, copy, extraction, reuse in others publications, translation or adaptation, display, distribution or modification, in whole or in part, without the written consent of TMP CONVERT is strictly prohibited and will be sanctioned. TMP CONVERT reserves the right to add, modify or delete information to any time without warning.

RECOMMENDATIONS

- › Do not use with hot mixed asphalt.
- › When using with GRAVELSTAB® and GREENPLAC®, we recommend to use metal stakes (Diameter : 8mm, 250 mm length) instead of the plastic stakes provided. This is because the vibrations created by the plate compactor can have an impact on the anchoring and move the border.

VIDEO

Click on the QR CODE or scan it and you will be redirected to the «Product» video.



Safety first!
Use protective glasses and safety gloves

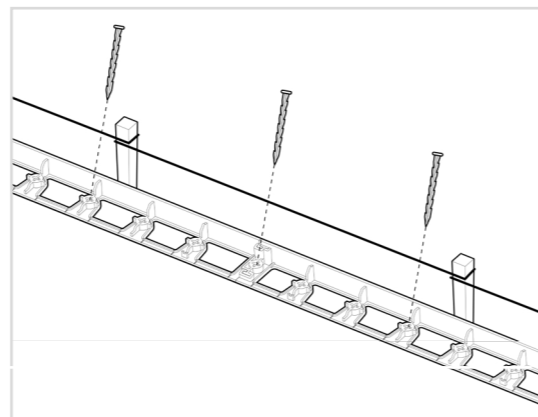
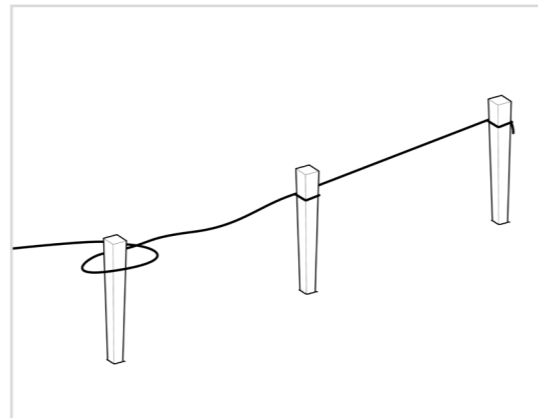


1 SITE PREPARATION

- › For straight lines, use a level and a chalk line. For curves, use a line and a stake.

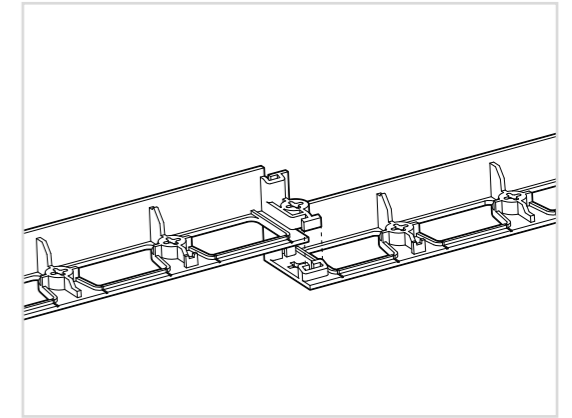
2 INSTALL THE BORDER

- › Lay the border on the ground.



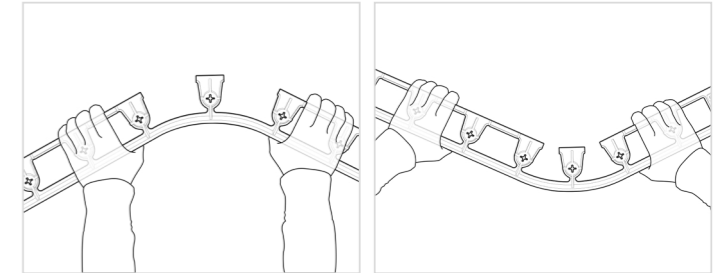
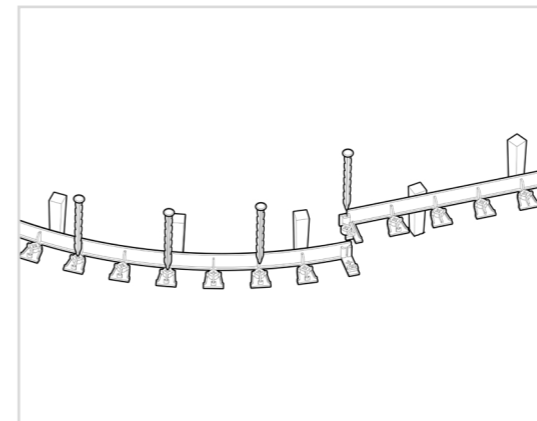
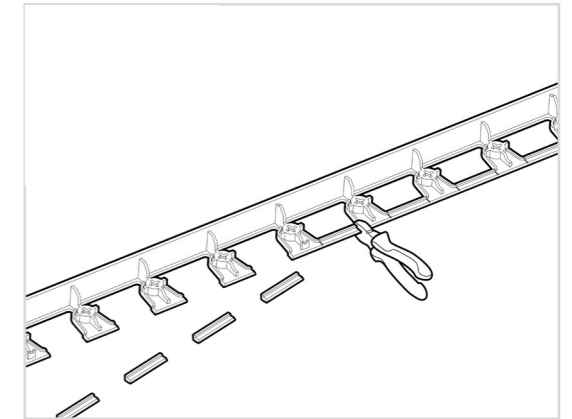
3 BORDERS' CONNECTION

- › Clip edging sections together with the connectors.



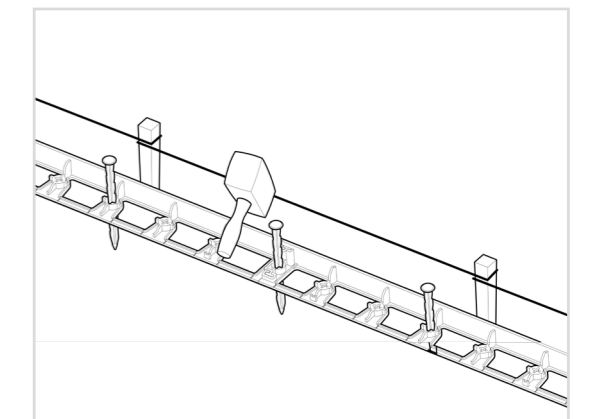
4 HOW TO CREATE CURVES

- › Border can be easily bent by hand to form any curve.
- › To bend the border, simply use snips to cut it. The border can be cut on the ground.



5 ANCHORING

- › Use included anchoring stakes to fix in place .



ANCHORING STAKE USE

- For lines : 3 anchoring stakes on the first border then 2 per border.
- For corners : 4 anchoring stakes. (2 before the angle, and 2 after).
- For curves : 6 anchoring stakes per border (at alternate intervals).