



Jouplast®

# PAVING RISER PEDESTAL

## ADJUSTMENT IN HEIGHT FROM 140 TO 230 MM «ESSENTIAL» RANGE



TECHNICAL DATA SHEET



### BENEFITS

- Quick and easy installation.
- Precise height adjustment using the rotating nut: no additional tools required.
- Divisible spacers for staggered laying.
- Base shape optimised: makes it easy to lay paving against a wall or in a corner.

### APPLICATIONS

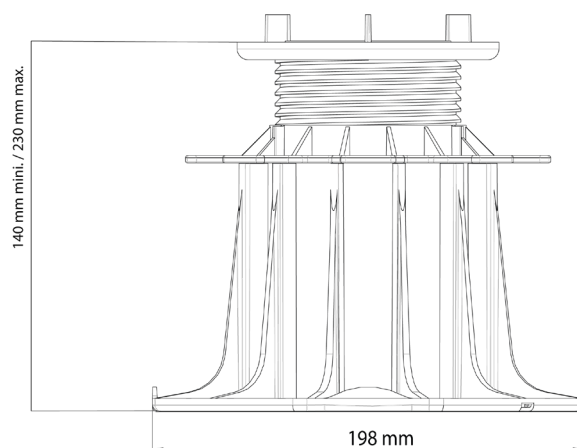
- Ideal for creating paved or ceramic tiled outdoor terraces for pedestrian use only.

### RESISTANCE

- Resistance to crushing test exceeds 1T.

### RECOMMENDATIONS

- Terraces and patios for pedestrian use only.
- Outdoor use only.
- Always follow paving manufacturer recommendations to ensure the suitability of paving products for use with riser pedestals and the number of risers per m<sup>2</sup> to use. Qualification of compulsory "SELF-SUPPORTING" slabs, of class T7, T11 according to standard EN 1339:2004-02.
- Paving riser pedestals should be used only on stabilised level ground or on existing concrete support.
- When the riser pedestal is used at its highest position, we recommend adding a 10 mm extension to provide greater flexibility during adjustment.
- When the riser pedestal is used at its lowest position, we recommend using the rised pedestal of the next size down, adding a 10 mm extension for greater flexibility when adjusting.
- Acoustic rubber cushion not included.
- For IFU, see the website.



### TECHNICAL DETAILS

- Material: recycled polypropylene
- Colour: black, blue nut
- Adjustable height: mini.: 140 mm / maxi.: 230 mm
- Spacer: height: 12 mm / thickness: 3 mm / qty: 4
- Basis diameter: 198 mm / Bearing contact area: 300 cm<sup>2</sup>
- Support surface diameter: 120 mm / Bearing contact area: 100 cm<sup>2</sup>
- Weight: 499 g
- Resistance to temperature from -30°C to +60°C
- UV and frost resistant

### PACKING

- Filmed in packs of 11 (Pallet of 21 packs - Stackable pallet)

Document protected by copyright. Any reproduction, copy, extraction, reuse in others publications, translation or adaptation, display, distribution or modification, in whole or in part, without the written consent of TMP CONVERT is strictly prohibited and will be sanctioned. TMP CONVERT reserves the right to add, modify or delete information to any time without warning.



www.jouplast.com



FT\_HD140290\_2411\_EN