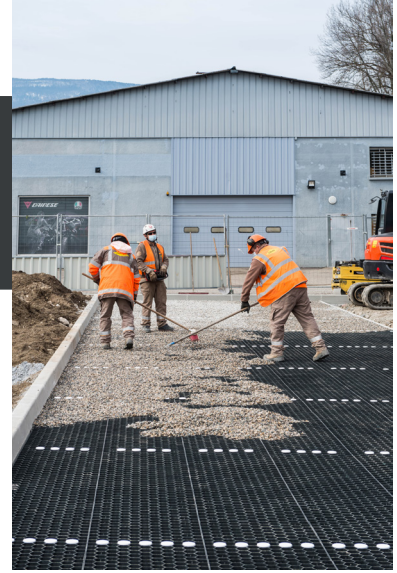




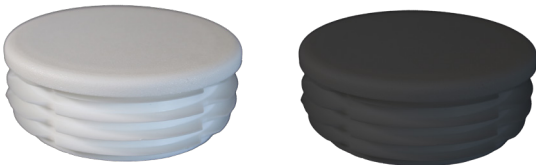
Jouplast®

ZONE MARKER

FOR URBANGRAVEL®, GREENPLAC®, AND URBANIT® / DIAMETER 70 MM



TECHNICAL DATA SHEET



BENEFITS

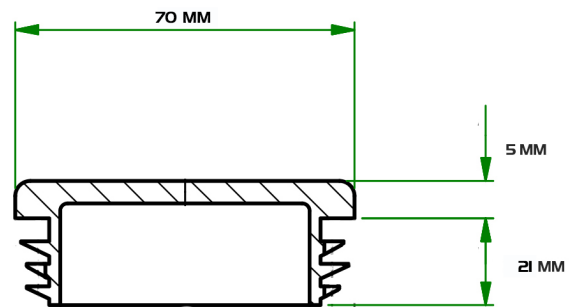
- UV and frost resistant.

APPLICATIONS

- Creates separation lines or floor signal lines when inserted into the tiles.

RECOMMENDATIONS

- To be placed into honeycombed cells according to the desired zone to create before filling.
- Count 2.2 zone markers per m² (quantity to be adapted according to the environment and the site).



TECHNICAL DETAILS

- Material: recycled Polyethylene
- Colour: black or white
- Diameter: 70 mm

PACKING

- Box of 40 parts (128 boxes per pallet)

Document protected by copyright. Any reproduction, copy, extraction, reuse in others publications, translation or adaptation, display, distribution or modification, in whole or in part, without the written consent of TMP CONVERT is strictly prohibited and will be sanctioned. TMP CONVERT reserves the right to add, modify or delete information to any time without warning.



www.jouplast.com



FT_PLOTMAP70_2402_EN