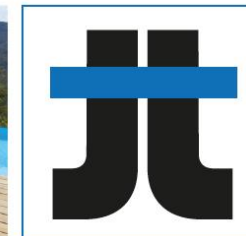




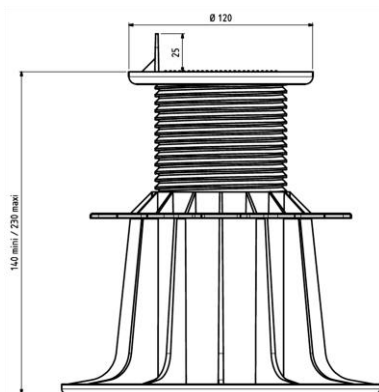
TECHNICAL



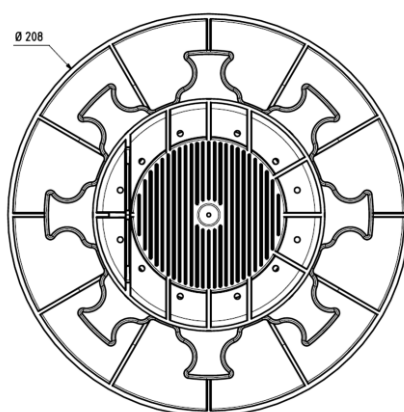
TECHNICAL DATA – ADJUSTABLE DECKING RISER PEDESTAL ADJUSTMENT IN HEIGHT 140/230mm



Side View

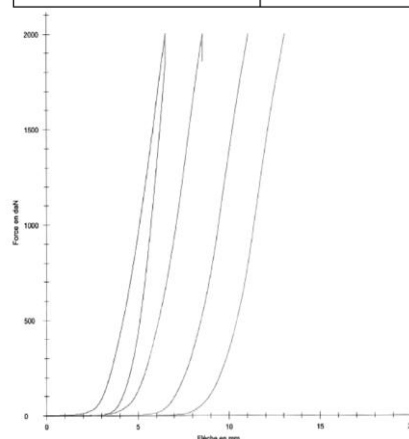


Top View



Crushing test

140/230mm DECKING RISER	Pressure (N)
Screwed	>19954
Unscrewed	10015+/-1085



Packaging

BAG		PALET
40 PIECES	20KG	320 PIECES

TECHNICAL DETAILS



Product is fully recyclable



Resists to acid substance



Resists to weather conditions



Resistance to extreme temperature from -30°C to +60°C



Conforms to EU regulations: DTU 51.4



Resistance to crushing test exceeds 500kg



Made from Polypropylene

GENERAL DATA

The 51.4 DTU normative is dedicated to wooden structure type No1

Large support surface: 100cm²

Breaking resistance: the riser is studied to cope with 5.0KN while a charging trial – charge uniformly distributed on the full riser section

To be used for pedestrian areas only

MADE IN FRANCE

