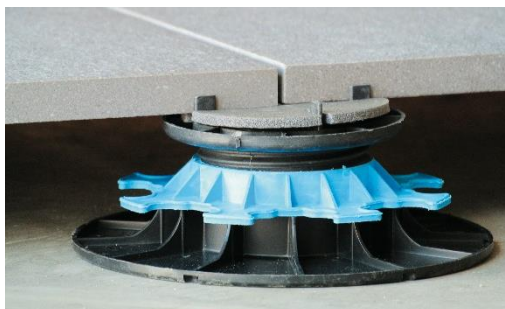
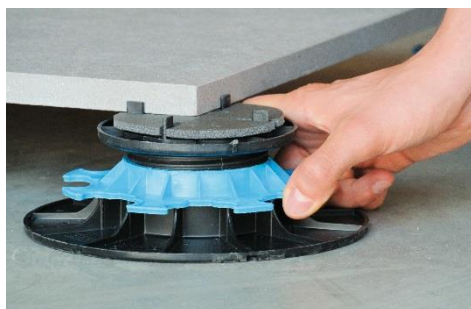


## TECHNICAL DATA – PAVING RISER PEDESTAL FIX HEIGHT 10mm

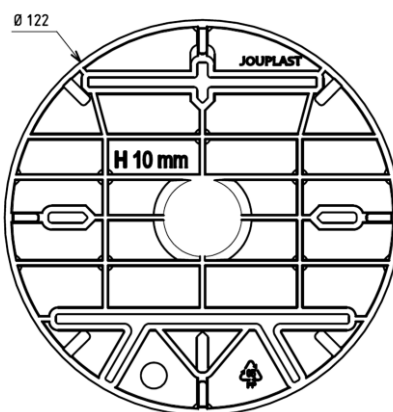


### Side View



Spacer: Thickness - 3mm / Height: 10mm  
Spacer quantity: 4

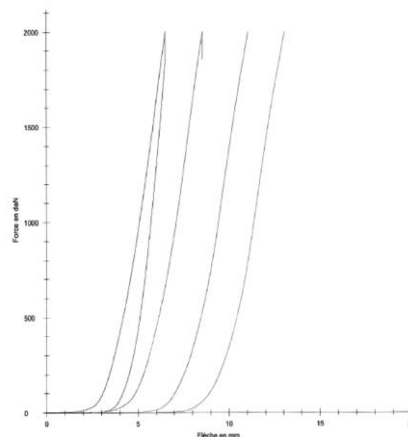
### Top View



Can also be used as a 10mm extension  
to be put on the top of JOUPLAST  
pedestal risers

### Crushing test

10mm PAVING RISER	Pressure (N)
Screwed	>19954
Unscrewed	10015+/-1085



### TECHNICAL DETAILS

- Product is fully recyclable
- Resists to acid substance
- Resists to weather conditions
- Resistance to extreme temperature from -30°C to +60°C
- Conforms to EU regulations: DTU 43.1 for flat roofs
- Resistance to crushing test exceeds 500kg
- Made from Polypropylene

### GENERAL DATA FOR ROOFING

Conforms to EU Regulations for Flat Roof made from holding masonry elements:

The riser is to be made of rigid material

Contact zone with floor must be  $\geq 300 \text{ cm}^2$

Large support surface:  $100 \text{ cm}^2$

Breaking resistance: the riser is studied to cope with 5.0 KN while a charging trial – charge uniformly distributed on the full riser section.

MADE IN FRANCE

