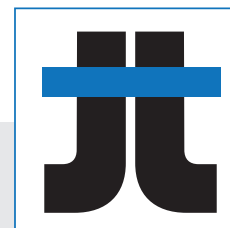


DECKING RISER PEDESTAL

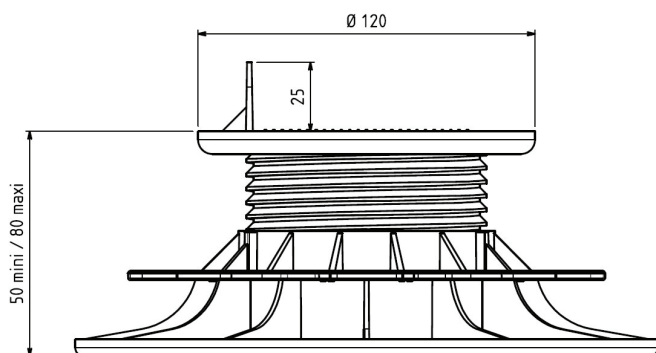
ADJUSTMENT IN HEIGHT 50/80 MM



Jouplast®



TECHNICAL DETAILS



- › Material : Polypropylene
- › Colour : black, green nut
- › Basis diameter : 208 mm
- › Adjustable height : mini: 50mm / maxi: 80mm
- › Support surface diameter : 120 mm
- › Vertical lug height : 25 mm
- › Weight : 0.256 kg
- › Resistance to extreme temperature from -30°C to +60°C
- › UV and FROST resistance
- › 100% recyclable

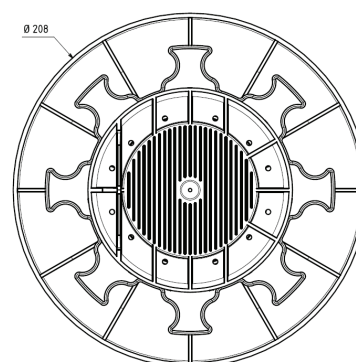
APPLICATIONS

- › To build decking made of wood or composite boards, for pedestrian use only.

BENEFITS

- › No additional tools : adjustable with one hand
- › Suitable with FIXEGO®: Invisible fixing for wooden decking board
- › Suitable with Jouplast® accessories

TOP VIEW



RÉSISTANCE

- › Resistance to crushing test exceeds 1T

PACKING

60 pcs per bag
Weight : 16 kg

12 bags per pallet
Weight : 220 kg



RECOMMENDATIONS

- › Terraces and patios for pedestrian use only
- › Outdoor use only
- › The sub frame must be constructed using wooden or metallic material only (not composite)
- › Conforms to French regulation DTU 51.4

Document protected by copyright. Any reproduction, copy, extraction, reuse in others publications, translation or adaptation, display, distribution or modification, in whole or in part, without the written consent of TMP CONVERT - JOUPLAST is strictly prohibited and will be sanctioned. TMP CONVERT JOUPLAST reserves the right to add, modify or delete information to any time without warning.

French Manufacturer

www.jouplast.com