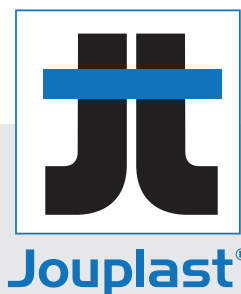


10 MM EXTENSION

FOR DECKING RISER PEDESTAL FIXED HEIGHT



TECHNICAL DETAILS



- › Material : Polypropylene
- › Colour : black
- › Diameter : 120 mm
- › Height : 10mm
- › Weight : 0.045 kg
- › Resistant to extreme temperature from -30°C to +60°C
- › UV and FROST resistant
- › 100% recyclable

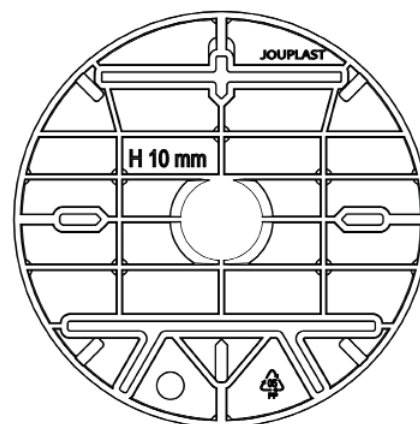
APPLICATIONS

- › To build decking made of wood or composite boards, for pedestrian use only.

BENEFITS

- › Can be used as a 10 mm decking riser

TOP VIEW



RESISTANCE

- › Resistance to crushing test exceeds 1T

PACKING



60 pcs per box
Weight : 3.50 kg



62 boxes par pallet
Weight : 219 kg

RECOMMENDATIONS

- › Terraces and patios for pedestrian use only
- › Outdoor use only
- › To be placed on top of the riser
- › The sub frame must be constructed using wooden or metallic material only (not composite)
- › Do not stack
- › To be used with risers from 20mm height