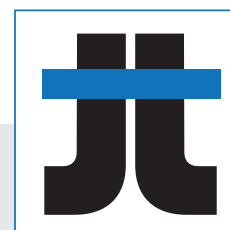
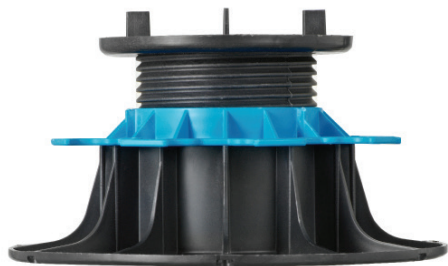


PAVING RISER PEDESTAL

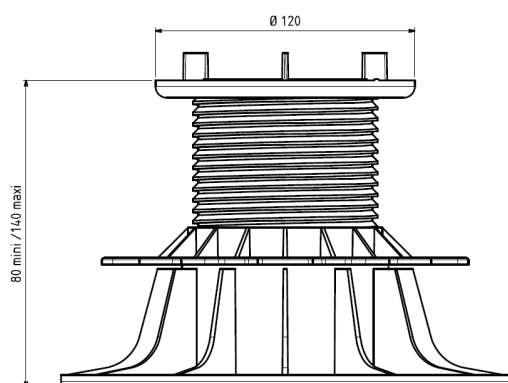
ADJUSTMENT IN HEIGHT 80/140 MM



Jouplast®



TECHNICAL DETAILS



- › Material : Polypropylene
- › Colour : black, blue nut
- › Adjustable height : mini: 80 mm / maxi: 140 mm
- › Spacers : Height : 9 mm / Thickness : 3 mm / Quantity : 4
- › Basis diameter : 208 mm
- › Support surface diameter : 120 mm
- › Weight : 0.339 kg
- › Resistance to extreme temperature from -30°C to +60°C
- › UV and frost resistant
- › 100% recyclable

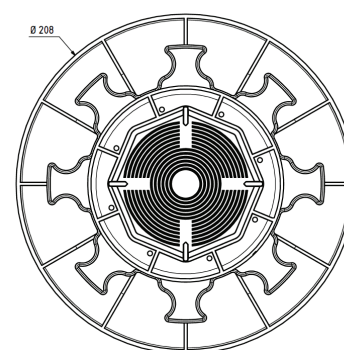
APPLICATIONS

- › To create terraces and patios with paving, ceramics, tiles, concrete slabs or wooden grating.
- › Suitable for flat roof

BENEFITS

- › Acoustic damper included
- › Spacers can be split easily
- › Suitable with JOUPLAST® accessories

TOP VIEW



RESISTANCE

- › Resistance to crushing test exceeds 1 T

PACKING

40 pcs per bag
Weight : 14.5 kg

14 bags per pallet
Weight : 207 kg



RECOMMENDATIONS

- › Terraces and patios for pedestrian use only
- › Outdoor use only
- › Ceramic/Porcelain paving - T7 or T11 standard
- › Conforms to French regulation DTU 43.1

Document protected by copyright. Any reproduction, copy, extraction, reuse in others publications, translation or adaptation, display, distribution or modification, in whole or in part, without the written consent of TMP CONVERT - JOUPLAST is strictly prohibited and will be sanctioned. TMP CONVERT JOUPLAST reserves the right to add, modify or delete information to any time without warning.